

COMPACT

HORIZONTAL MULTISTAGE CENTRIFUGAL ELECTRIC PUMPS

in cast iron



Cast iron horizontal multistage centrifugal electric pumps.

APPLICATIONS

- Domestic pressure boosting
- General pressure increases
- Small-scale garden irrigation
- Washing of vehicles
- Pumping clean water

TECHNICAL DETAILS

- Particularly silent
- Light and easy to handle

PUMP TECHNICAL DATA

- Maximum working pressure: 10 bar
- Maximum temperature of the liquid: 40°C
- G1 suction connection for COMPACT A, G1¼ for COMPACT B
- G1 discharge connection

MOTOR TECHNICAL DATA

- IE2 and IE3 high energy-efficiency motors starting from 0.75kW
- Self-ventilated 2 pole asynchronous motor
- Class of insulation F
- IP44 Protection degree
- 230V ± 10% 50Hz single phase voltage, 230/400V ±10% 50Hz three phase voltage
- Permanent capacitor inserted and thermo-ampereometric protection with automatic rearm incorporated for the single phase motor
- Protection under user's responsibility for the three phase version

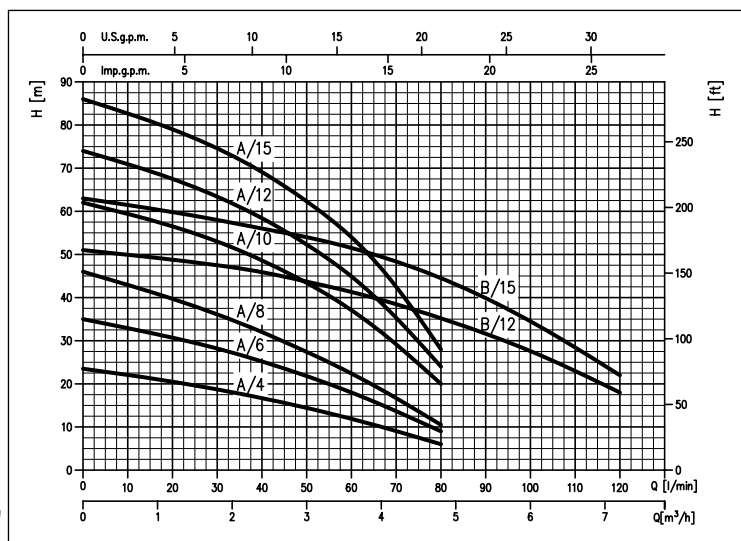
MATERIALS

- Cast iron pump body and support
- External casing in AISI 304
- Impeller and diffuser in PPE+PS reinforced with fibreglass
- Stages in PPE+PS reinforced with fibreglass/PTFE
- Shaft in AISI 416
- Mechanical seal in Ceramic/Carbon/NBR

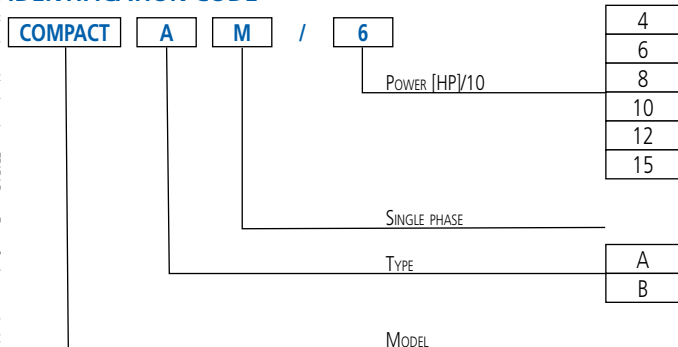
ACCESSORIES (On request)

- Electric panels
- Vessels
- Floats
- Pressure switches
- Presscomfort - Pressure regulator
- E-power - Variable speed control system
- E-drive - Frequency converter

PERFORMANCE CURVES (according to ISO 9906 Attachment A)



IDENTIFICATION CODE

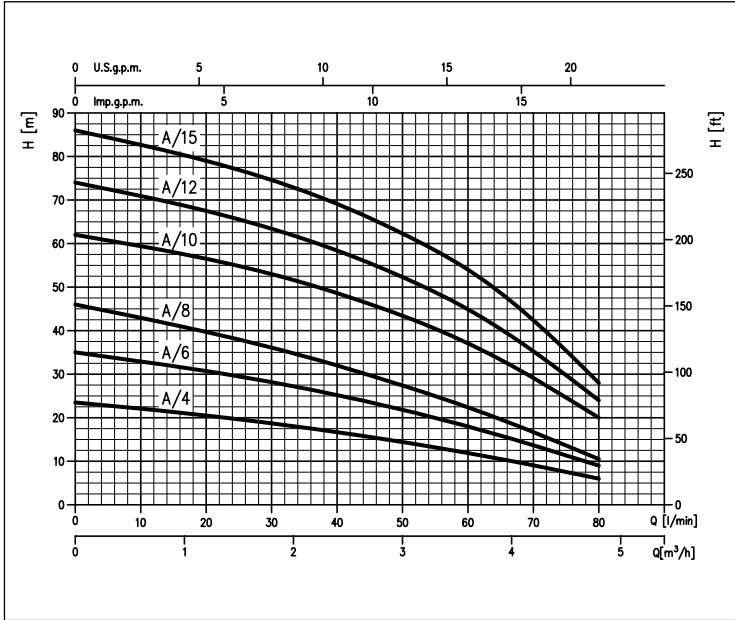


The content of this publication should not be considered mandatory. EBARA Pumps Europa S.p.A. reserves the right to change the content without prior notice.

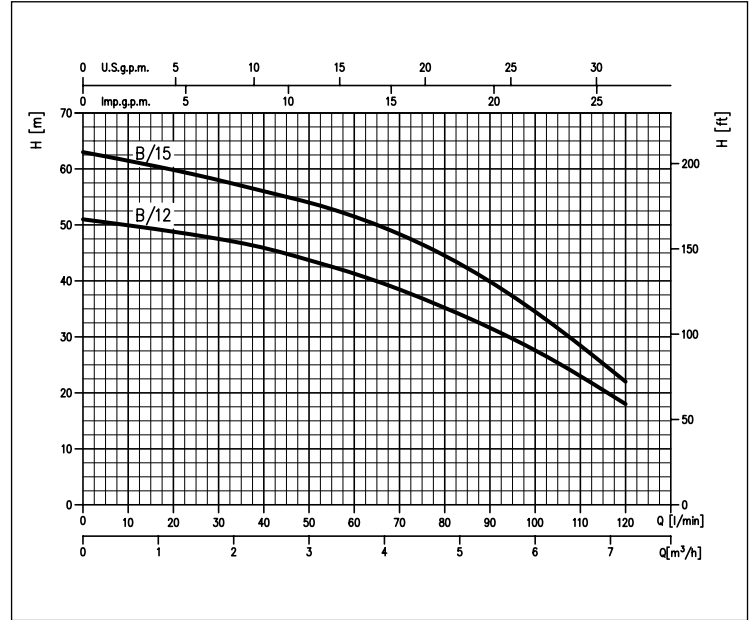
COMPACT

HORIZONTAL MULTISTAGE CENTRIFUGAL ELECTRIC PUMPS in cast iron

COMPACT A range PERFORMANCE CURVES
(according to ISO 9906 Attachment A)



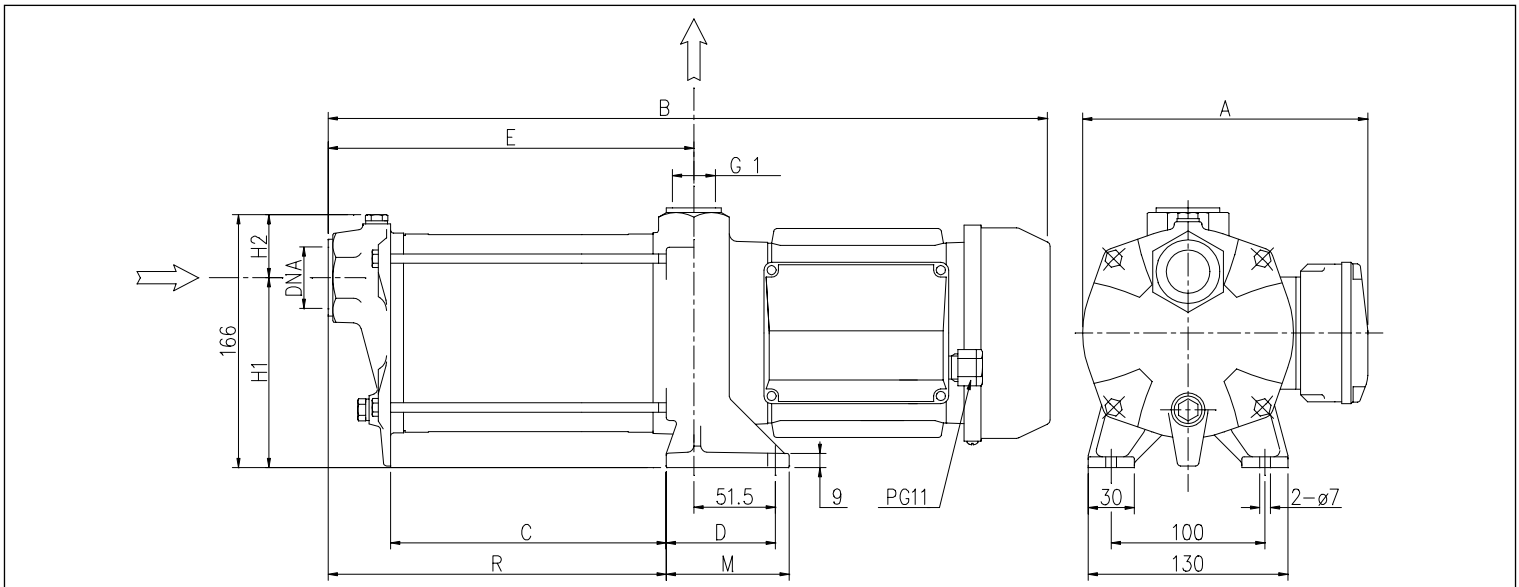
COMPACT B range PERFORMANCE CURVES
(according to ISO 9906 Attachment A)



PERFORMANCE CHART

Single phase 230V	Model Three phase 230/400V	P ₂		Q = Flow Rate								
		[HP]	[kW]	l/min m ³ /h	20	30	40	50	60	80	100	120
				H=Head [m]								
COMPACT AM/4	COMPACT A/4	0.4	0.3	20.5	18.7	16.7	14.4	11.9	6.0	-	-	
COMPACT AM/6	COMPACT A/6	0.6	0.44	30.7	28.2	25.2	21.8	18.0	9.0	-	-	
COMPACT AM/8	COMPACT A/8	0.8	0.6	39.7	36.1	32.0	27.4	22.4	10.5	-	-	
COMPACT AM/10	COMPACT A/10	1	0.75	56.5	53.0	48.5	43.5	37.1	20.0	-	-	
COMPACT AM/12	COMPACT A/12	1.2	0.9	67.5	63.4	58.5	52.5	45.0	24.0	-	-	
COMPACT AM/15	COMPACT A/15	1.5	1.1	79.0	74.6	69.0	62.5	54.0	28.0	-	-	
COMPACT BM/12	COMPACT B/12	1.2	0.9	-	47.5	46.0	43.5	41.5	35.2	27.6	18.0	
COMPACT BM/15	COMPACT B/15	1.5	1.1	-	58.0	56.0	54.0	51.5	44.5	34.5	22.0	

DIMENSIONS



COMPACT

HORIZONTAL MULTISTAGE CENTRIFUGAL ELECTRIC PUMPS

in cast iron

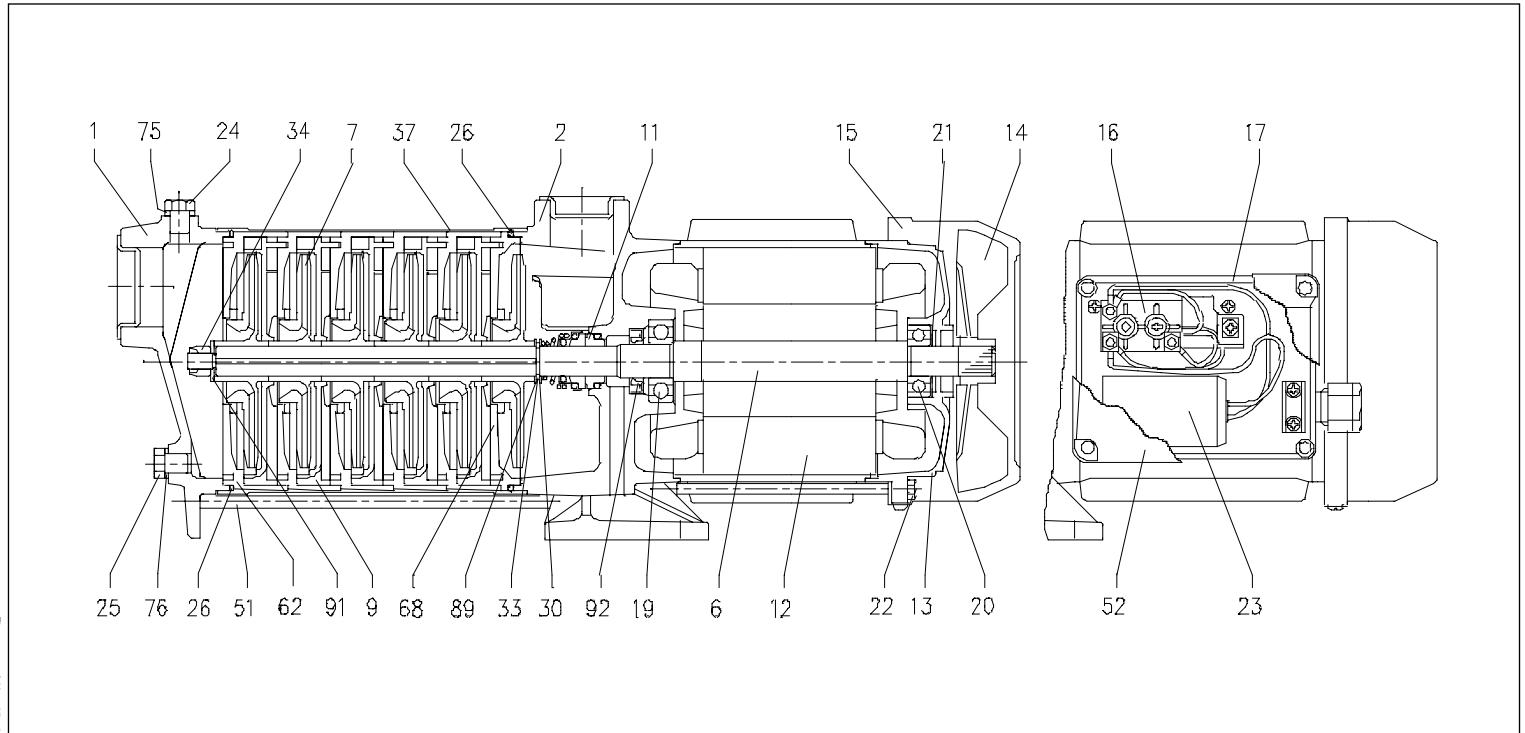
DIMENSIONS TABLE

Single phase	Model	Three phase	Dimensions [mm]														Weight [kg]	
			A [1]	A [2]	B [2]	B [1]	C	D	E	H1	H2	M	R	T	*	DNA	[2]	[1]
COMPACT AM/4	COMPACT A/4		159	183.5	307.5	307.5	82	51.5	120.5	127.5	38.5	62	120.5	PG11	-	G1	8.4	8.4
COMPACT AM/6	COMPACT A/6		159	183.5	333.5	333.5	108	51.5	146.5	127.5	38.5	62	146.5	PG11	-	G1	9.3	9.3
COMPACT AM/8	COMPACT A/8		159	183.5	359.5	359.5	134	51.5	172.5	127.5	38.5	62	172.5	PG11	-	G1	10.3	10.3
COMPACT AM/10	COMPACT A/10		169	193.5	426	426	142	69.5	198.5	123.5	42.5	80	180.5	PG11	M16x1.5	G1	14.5	14.5
COMPACT AM/12	COMPACT A/12		169	193.5	452	464	168	69.5	224.5	123.5	42.5	80	206.5	PG11	M16x1.5	G1	15.5	16.3
COMPACT AM/15	COMPACT A/15		169	193.5	490	490	194	69.5	250.5	123.5	42.5	80	232.5	PG11	M16x1.5	G1	16.7	16.7
COMPACT BM/12	COMPACT B/12		169	193.5	400	412	116	69.5	172.5	123.5	42.5	80	154.5	PG11	M16x1.5	G1¼	14.9	15.7
COMPACT BM/15	COMPACT B/15		169	193.5	438	438	142	69.5	198.5	123.5	42.5	80	180.5	PG11	M16x1.5	G1¼	15.9	15.9

[1]= Three phase only
[2]= Single phase only

* Models with IE3 motor only

SECTIONAL VIEW



MATERIALS TABLE

Ref.	Name	Material	Ref.	Name	Material
1	Pump body	G20	23	Capacitor [1]	-
2	Pump body support	G20	24	Filler cap	Brass
6	Rotor shaft	AISI 416	25	Drain plug	Brass
7	Impeller	PPE+PS reinforced with fibreglass	26	O-Ring	NBR
9	Diffuser	PPE+PS reinforced with fibreglass	30	Washer	AISI 304
11	Mechanical seal	Carbon/Ceramic/NBR	33	Seeger ring	AISI 304
12	Motor case	-	34	Impeller nut	AISI 304
13	Motor cover	Aluminium	37	Pump casing	AISI 304
14	Fan	PP	51	Pump tie-rod	Galvanised Fe P04
15	Fan cover	Galvanised Fe P04	52	Capacitor-holder box [1]	PP
16	Terminal Box	-	62	Stage box	PPE+PS reinforced with fibreglass
17	Terminal Box cover	Aluminium	68	Stage	PPE+PS reinforced with fibreglass/PTFE
19	Bearing (pump side)	-	75	Washer	AISI 304
20	Bearing (motor side)	-	76	Washer	AISI 304
21	Adjustment ring	Steel C70	89	Washer	AISI 304
22	Motor tie-rod	Galvanised Fe 42	91	Washer	AISI 304
			92	Sealing ring	-

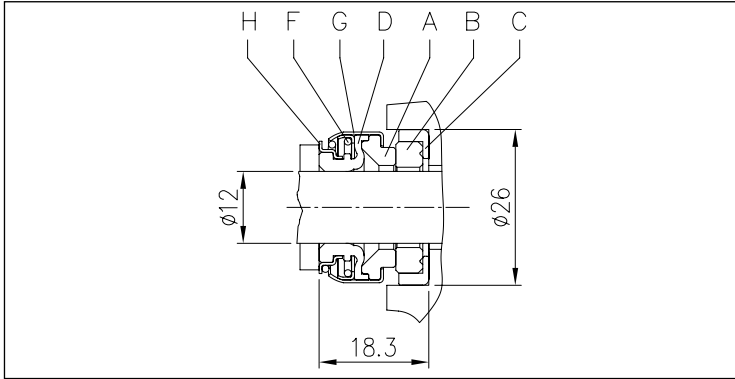
[1]= Single phase only

COMPACT

HORIZONTAL MULTISTAGE CENTRIFUGAL ELECTRIC PUMPS

in cast iron

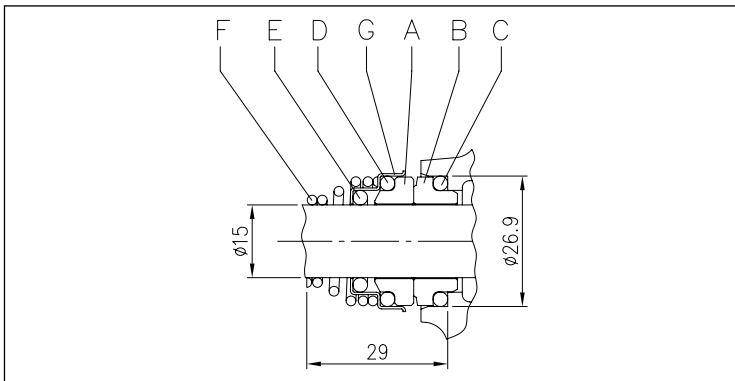
MECHANICAL SEAL for COMPACT A(M)/4, A(M)/6, A(M)/8



MATERIALS TABLE

Ref.	Name	Material
A	Rotating part	Carbon
B	Fixed part	Ceramic
C	Gasket	NBR
D	Diaphragm	NBR
F	Spring	AISI 304
G	Structure/frame	AISI 304
H	Retainer ring	AISI 304

MECHANICAL SEAL for COMPACT A(M)/10, A(M)/12, A(M)/15 - B(M)/12, B(M)/15



MATERIALS TABLE

Ref.	Name	Material
A	Rotating part	Ceramic
B	Fixed part	Carbon
C	O-Ring	NBR
D	O-Ring	NBR
E	O-Ring	NBR
F	Spring	AISI 316
G	Structure/frame	AISI 304

ELECTRIC DATA TABLE

Model	Single phase 230V	Three phase 230/400V	P ₂		Efficiency		Capacitor Single phase μF	V _c	Efficiency (%) Three phase			P ₁		Absorbed Current [A]		
			[HP]	[kW]	Single phase	Three phase			50%	75%	100%	Single phase [kW]	Three phase [kW]	Single phase 230V	230V	400V
COMPACT AM/4	COMPACT A/4		0.4	0.3	-	-	10	450	-	-	-	0.53	0.50	2.5	1.9	1.1
COMPACT AM/6	COMPACT A/6		0.6	0.44	-	-	12.5	450	-	-	-	0.70	0.65	3.0	2.3	1.3
COMPACT AM/8	COMPACT A/8		0.8	0.6	-	-	14	450	-	-	-	0.90	0.82	4.0	2.6	1.5
COMPACT AM/10	COMPACT A/10		1	0.75	-	IE2	20	450	77.2	80.9	81.3	1.25	0.92	6.0	2.9	1.7
-			1	0.75	-	IE3	-	-	80.9	82.3	82.1	-	0.91	-	3.0	1.7
COMPACT AM/12	COMPACT A/12		1.2	0.9	-	IE2	31.5	450	79.0	81.7	81.6	1.38	1.35	6.2	4.3	2.5
-			1.2	0.9	-	IE3	-	-	81.7	83.1	82.4	-	1.34	-	4.3	2.5
COMPACT AM/15	COMPACT A/15		1.5	1.1	-	IE2	31.5	450	79.0	81.7	81.6	1.60	1.35	7.3	4.3	2.5
-			1.5	1.1	-	IE3	-	-	81.7	83.1	82.4	-	1.34	-	4.3	2.5
COMPACT BM/12	COMPACT B/12		1.2	0.9	-	IE2	31.5	450	79.0	81.7	81.6	1.30	1.35	5.8	4.3	2.5
-			1.2	0.9	-	IE3	-	-	81.7	83.1	82.4	-	1.34	-	4.3	2.5
COMPACT BM/15	COMPACT B/15		1.5	1.1	-	IE2	31.5	450	79.0	81.7	81.6	1.60	1.35	7.3	4.3	2.5
-			1.5	1.1	-	IE3	-	-	81.7	83.1	82.4	-	1.34	-	4.3	2.5

NOISE DATA TABLE

Model	Single phase 230V	Three phase 230/400V	P ₂		L _{pa} - dB(A)*
			[HP]	[kW]	
COMPACT AM/4	COMPACT A/4		0.4	0.3	<70
COMPACT AM/6	COMPACT A/6		0.6	0.44	
COMPACT AM/8	COMPACT A/8		0.8	0.6	
COMPACT AM/10	COMPACT A/10		1	0.75	
COMPACT AM/12	COMPACT A/12		1.2	0.9	
COMPACT AM/15	COMPACT A/15		1.5	1.1	
COMPACT BM/12	COMPACT B/12		1.2	0.9	<70
COMPACT BM/15	COMPACT B/15		1.5	1.1	

* Average noise level measured at 1 m from the motor pump.
Tolerance ± 2.5 dB.